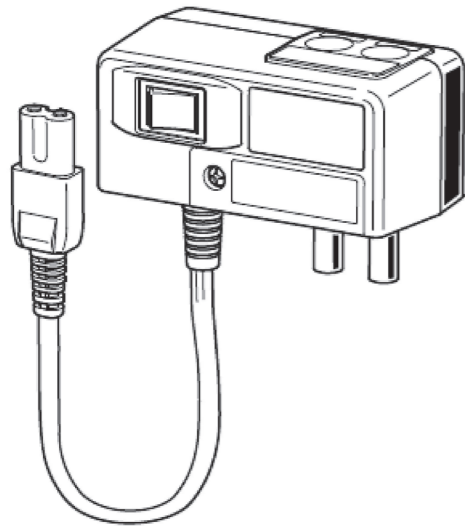


Instruction manual



Power supply adapter

MODEL 8329

KYORITSU ELECTRICAL INSTRUMENTS WORKS, LTD.

DISTRIBUTOR

Kyoritsu reserves the rights to change specifications or designs described in this manual without notice and without obligations.

KYORITSU ELECTRICAL INSTRUMENTS WORKS, LTD.

2-5-20, Nakane, Meguro-ku,
Tokyo, 152-0031 Japan
Phone: +81-3-3723-0131
Fax: +81-3-3723-0152
Factory: Ehime, Japan

www.kew-ltd.co.jp

1. Features

- This product is an optional accessory and designed for our KEW5050 for leakage current logger. It can supply electrical power to KEW5050 when combined and used together with MODEL8262 AC adapter and MODEL7278 earth cable. In this case, KEW5050 can measure voltages up to 240 V AC (50/ 60 Hz).

2. Safety warnings

- This product has been designed, manufactured and tested according to IEC 61010: Safety requirements for electronic measuring apparatus, and delivered in the best condition after passing quality control tests. This instruction manual contains warnings and safety procedures which have to be observed by the user to ensure safe operation of the product and to maintain it in safe condition. Therefore, read through these operating instructions before starting to use the product.

⚠ WARNING

- Read through and understand the instructions contained in this manual before starting to use the product.
- Keep the manual at hand to enable quick reference whenever necessary.
- The product is to be used only in its intended applications.
- Understand and follow all the safety instructions contained in the manual.

It is essential that the above instructions are adhered to. Failure to follow the above instructions may cause injury or product damage, and/or damage to the equipment under test. Kyoritsu assumes no responsibility for damage and injury caused by misuse or not following the instructions in the manual.

The symbol ⚠ indicated on the product, means that the user must refer to the related parts in the manual for safe operation of the product. It is essential to read the instructions wherever the symbol appears in the manual.

- ⚠ DANGER:** is reserved for conditions and actions that are likely to cause serious or fatal injury.
- ⚠ WARNING:** is reserved for conditions and actions that can cause serious or fatal injury.
- ⚠ CAUTION:** is reserved for conditions and actions that can cause injury or instrument damage.

⚠ DANGER

- Do not attempt to use in the presence of flammable or explosive gasses, or in steam environment.
- Never attempt to use the product if its surface or your hand is wet.
- The product is to be used only in its intended applications or conditions. Otherwise, safety functions equipped with the product doesn't work, and damage to the product or serious personal injury may occur.
- When the product is used with KEW5050, the max rated voltage to ground will be 150 V AC in CAT III or 240 V in CAT II. The rating differs from the one of reference voltage input terminal of KEW5050. Do not exceed the measurement category range or not test a circuit in which higher voltage to ground exists; otherwise, this product, AC adapter or KEW5050 may be damaged or electrical accident may occur.
- Rated power frequency of the product is 50/ 60 Hz.
- Use MODEL7273 voltage test leads supplied with KEW5050.
- Use MODEL8262 AC adapter supplied with KEW5050.
- Ensure that the power plug is firmly connected to the AC adapter.
- Always connect the product to KEW5050 first, and then to the measurement line.
- Do not disconnect voltage test leads from the input terminals (N/ L) of the product during a measurement.
- Do not disconnect the product from KEW5050 during a measurement.
- Disconnect all the cables connected to the product before replacing fuses; put a new fuse of the same rating.

⚠ WARNING

- Turn off the power switch when connecting to KEW5050.
- Keep the fuse holder cover screwed and closed during a measurement.
- Never attempt to make measurement if any abnormal conditions are noted, such as cracks or exposed metal parts.
- Do not install substitute parts or make any modification to the product. Return the product to your local Kyoritsu distributor for repair.

⚠ CAUTION

- Examine the conductor under test before starting a measurement; it might be hot.
- Never give strong vibrations or drop shocks.
- The product is not dust/ water-proof. Do not use the product at dusty places or to be splattered.
- Care should be taken so as not to damage the cable jacket.
- Do not pull or bend the root of the cable to prevent a break in the cable.
- Use a damp cloth with neutral detergent or water for cleaning the product. Do not use abrasives or solvents.

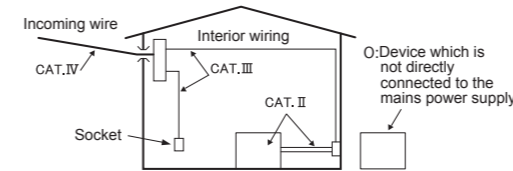
Meaning of symbols on the product:

⚠	User must refer to the explanations in the instruction manual.
□	Double or reinforced insulation
~	AC
♻	Crossed-out wheel bin symbol (according to WEEE Directive: 2002/96/EC) indicating that this electrical product may not be treated as household waste, but that it must be collected and treated separately.

Measurement Category

To ensure safe operation of measuring instruments, IEC 61010 establishes safety standards for various electrical environments, categorized as O to CAT IV, and called measurement categories. Higher-numbered categories correspond to electrical environments with greater momentary energy, so a measuring instrument designed for CAT III environments can endure greater momentary energy than one designed for CAT II.

- O (None, other) : Circuits which are not directly connected to the mains power supply.
- CAT II : Electrical circuits of equipment connected to an AC electrical outlet by a power cord.
- CAT III : Primary electrical circuits of the equipment connected directly to the distribution panel, and feeders from the distribution panel to outlets.
- CAT IV : The circuit from the service drop to the service entrance, and to the power meter and primary overcurrent protection device (distribution panel).



3. Specifications

Input voltage	100 to 240 V AC (50 Hz/ 60Hz)
Location for use	In-door use, altitude 2000m or less
Operating Temp. & Hum. range	- 10°C to 50 °C, relative humidity 85% or less (no condensation)
Storage Temp. & Hum. range	- 20°C to 60°C, relative humidity 85% or less (no condensation)
Dimension	90.6 (L) x 43 (W) x 47.5 (D) mm * excluding the plug & cable
Weight	Approx. 115g
Cable length	Approx. 180mm
Fuse rating	500 mA / 600 V AC, fast acting type, Ø6.3 x 32mm
Accessories	One fuse (installed), Instruction manual
Applicable standard	IEC61010-1 CAT III 150 V CAT II 240 V Pollution degree 2 IEC60529 IP 40

4. How to use

- Ensure that KEW5050 and MODEL8329 are both powered off.
- Connect MODEL7273 voltage test leads to the power input terminals (N/ L) of MODEL8329 respectively, and then connect the plugs of MODEL 8329 to the reference voltage input terminals of KEW5050.
- Firmly connect the power plug of MODEL8329 to MODEL8262 AC adapter.
- Connect the output terminal of MODEL8262 AC adapter to the female connector of MODEL7278 earth cable.
- Firmly connect the connection terminal of MODEL7278 earth cable to the AC adapter connector on KEW5050.
- Connect the clip of MODEL7278 earth cable to a **well-known earth terminal**.

MODEL7278 earth cable

⚠ DANGER

- Always check so as not to connecting the clip other than earth terminal. Never connect to a live wire.

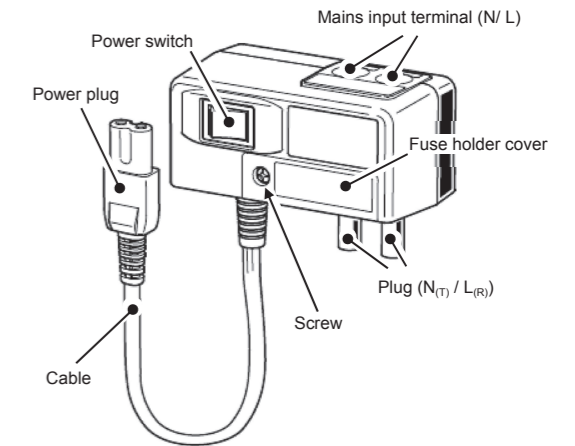
Note:

- Always earth the product with the supplied earth cable when making measurements using AC adapter; otherwise, stable readings cannot be obtained.

- Connect the alligator clip of MODEL7273 voltage test lead to the circuit under test.
- Power on KEW5050.
- Power on MODEL8329. Confirm that (AC adapter) icon appears on the LCD of KEW5050. If (Battery) icon is displayed, the connections may incorrect or the fuse inside MODEL8329 may have blown.

Reversed procedure is applied to remove the product.

5. Product layout



6. Fuse replacement

- Ensure that the power switch is set to OFF.
 - Disconnect all cables from the product.
 - Loosen the screw on the top side, and remove the fuse holder cover.
 - Take out the fuse*.
- *500 mA / 600 V AC, fast acting type, Ø6.3 x 32mm
- Set a new fuse to the fuse holder.
 - Attach and screw the fuse holder cover.

